

we  
are  
arco

product  
**Move**

we  
make  
tables

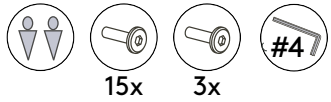
designer  
Hofman-  
Dujardin

arco

Year  
2022

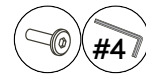
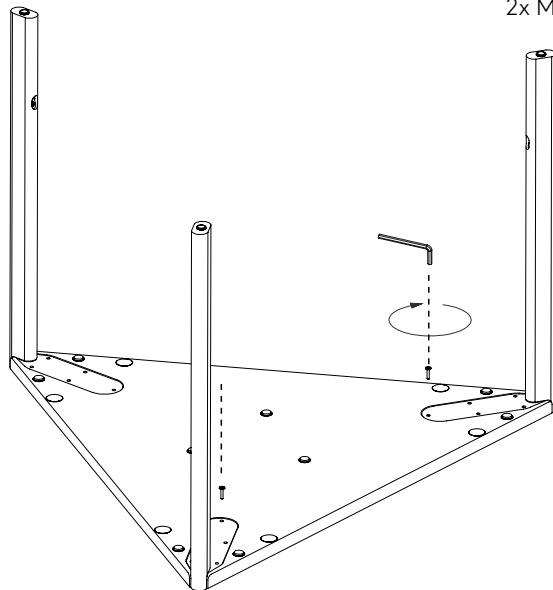
Assembly  
instructions

Please follow step 1 - 13



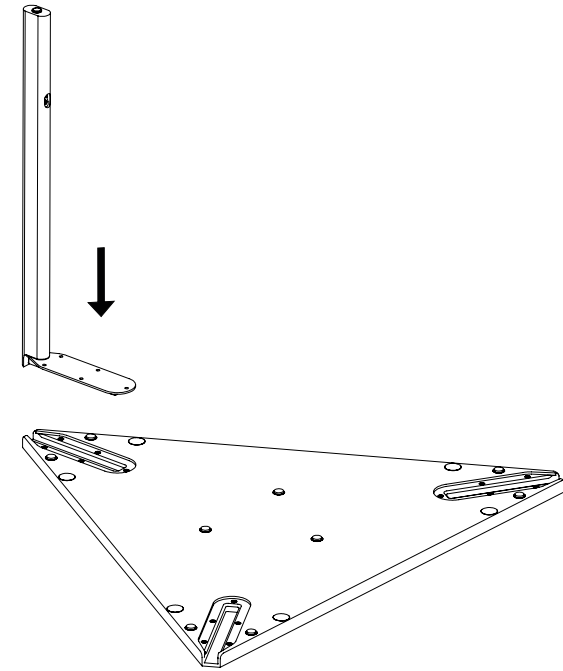
2

Secure 2 legs from falling  
by tighten a bolt loose



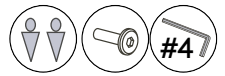
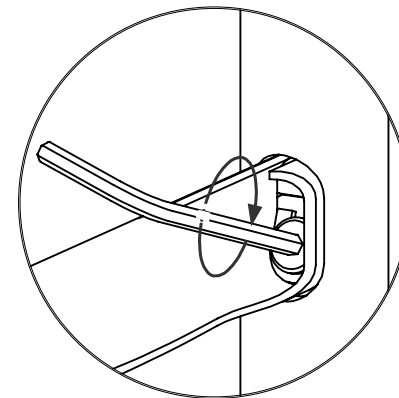
2x M6x25

1



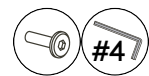
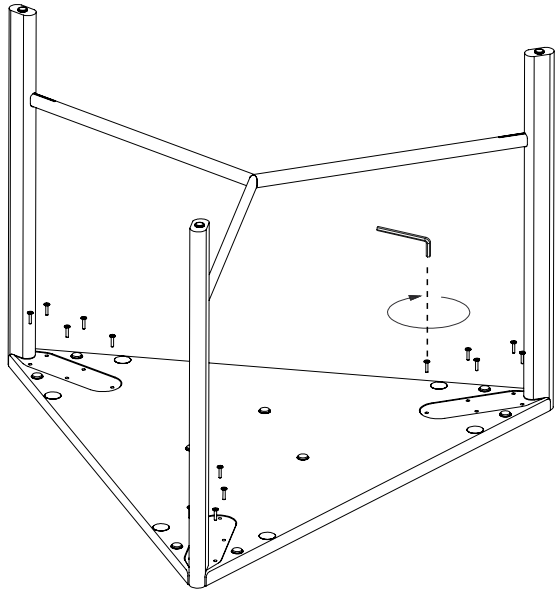
3

Use the allen key to hold  
the bolt in place, while  
positioning the crossbar  
between the legs.



3x M6x16

4



#4

13x M6x25

5

