

we
are
arco

product
Kami

we
make
tables

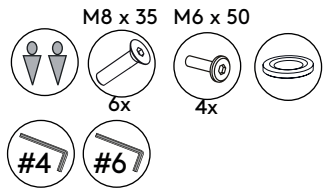
designer
**Joost
van der Vecht**

arco

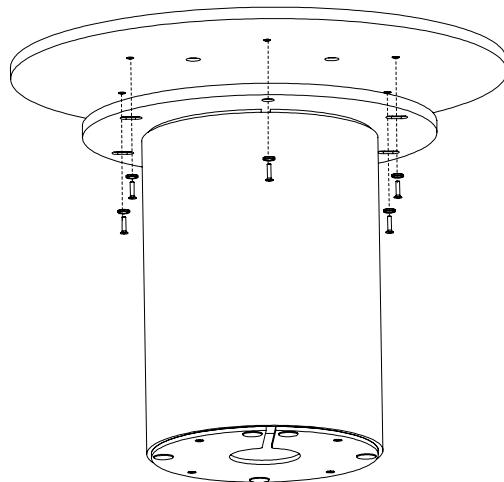
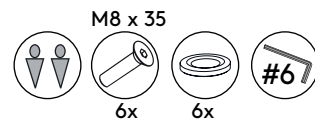
Year
2020

Assembly
instructions

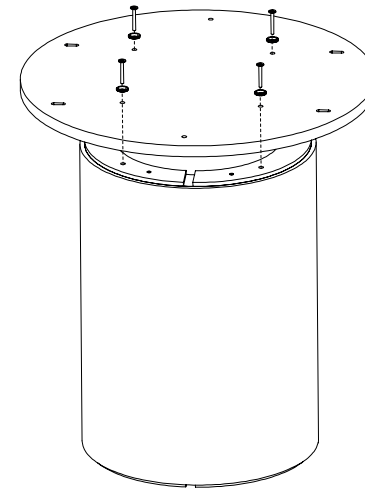
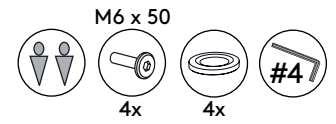
Please follow step 1 - 4



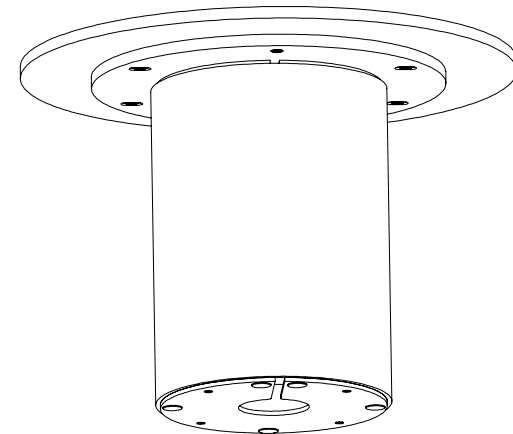
2



1



3



4

