

we  
are  
arco

product  
**Kami**

we  
make  
tables

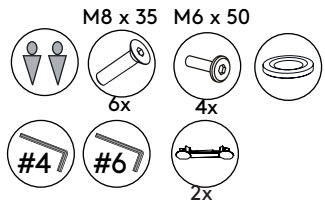
designer  
Joost  
van der Vecht

arco

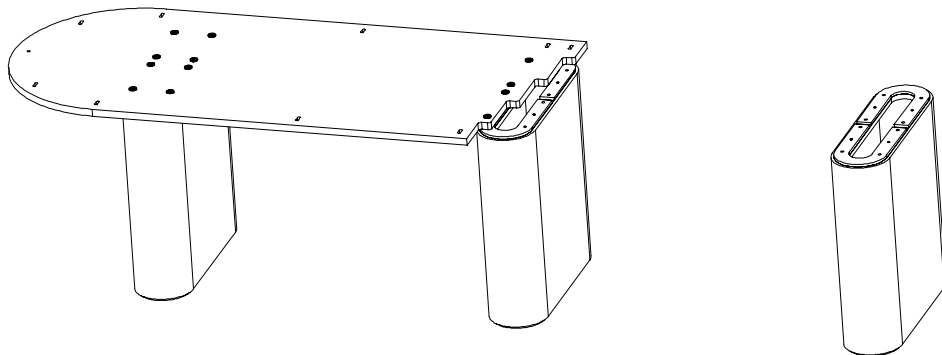
Year  
2020

Assembly  
instructions

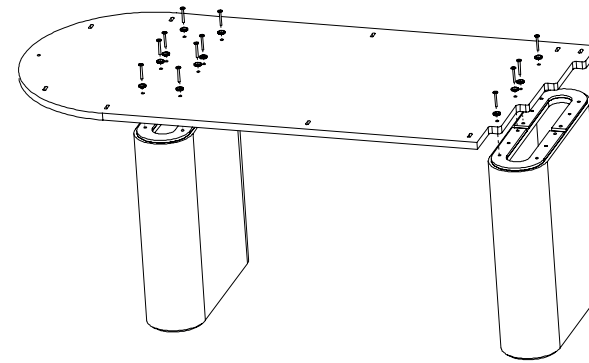
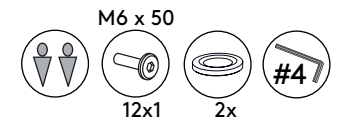
Please follow step 1 - 12



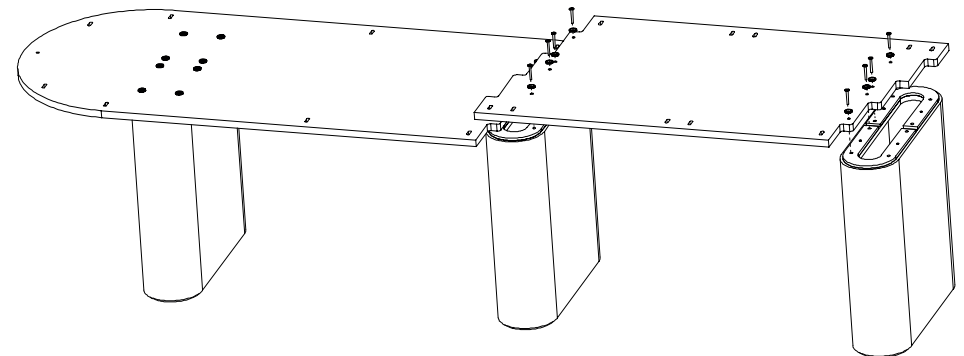
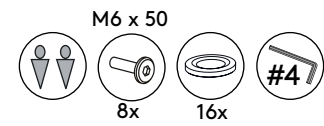
- ② With more than two table-tops, continue at this step.  
If you have a table of only two table-tops, skip to step 5



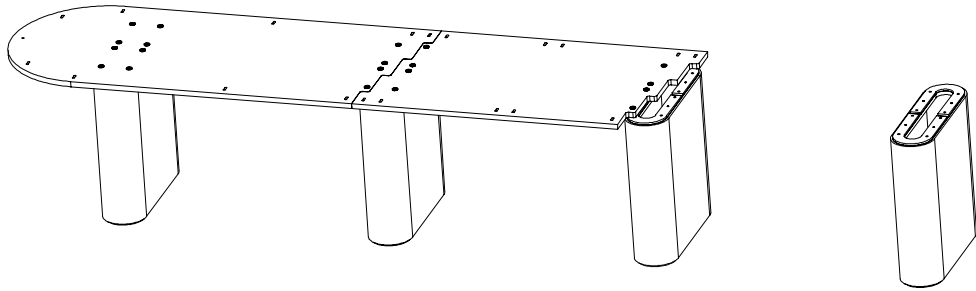
①



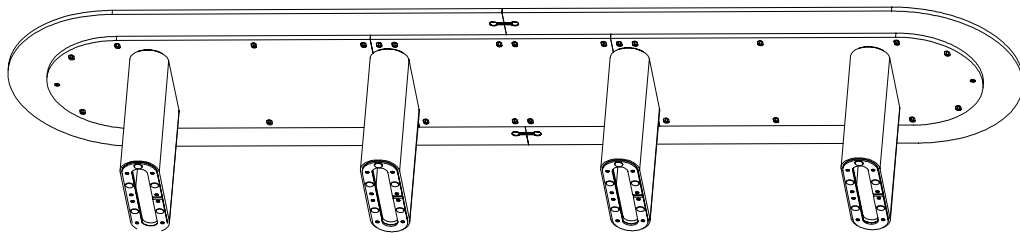
③







4

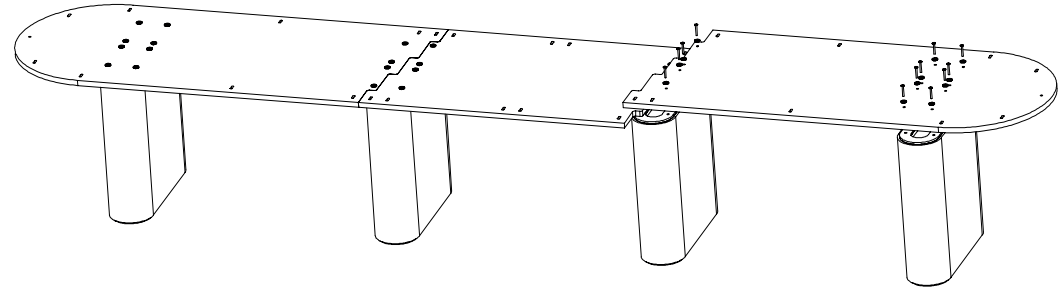


6



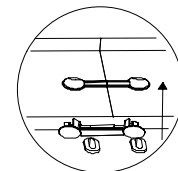
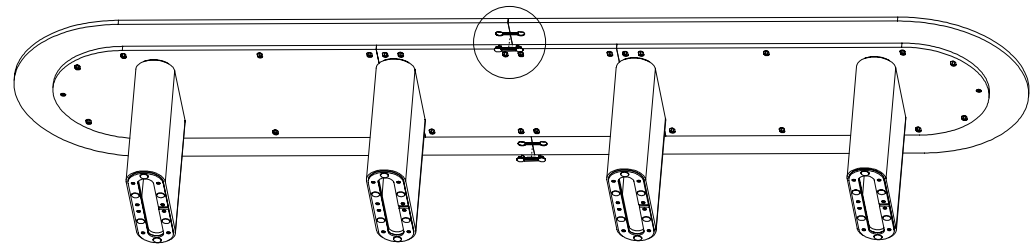
5

M6 x 50  
  12x  12x  #4

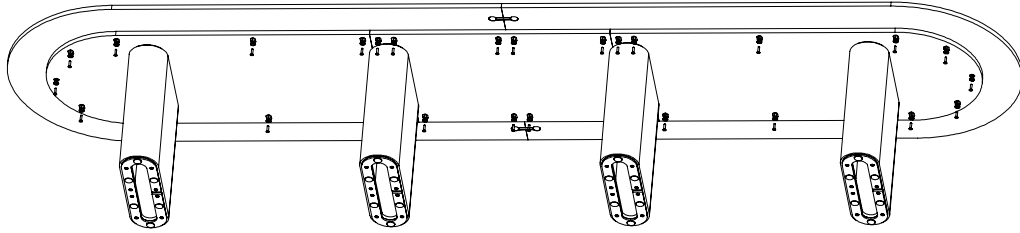
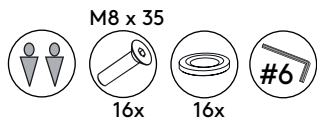


7

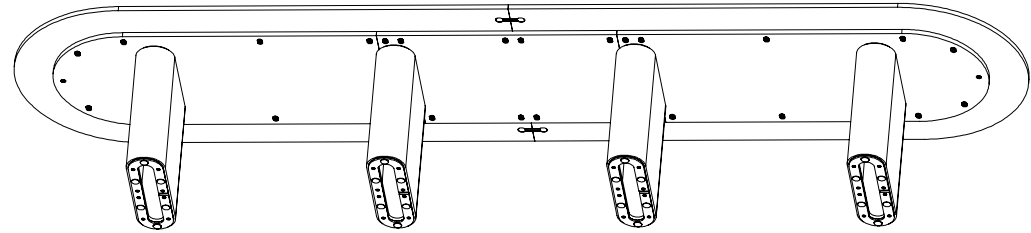
 2x



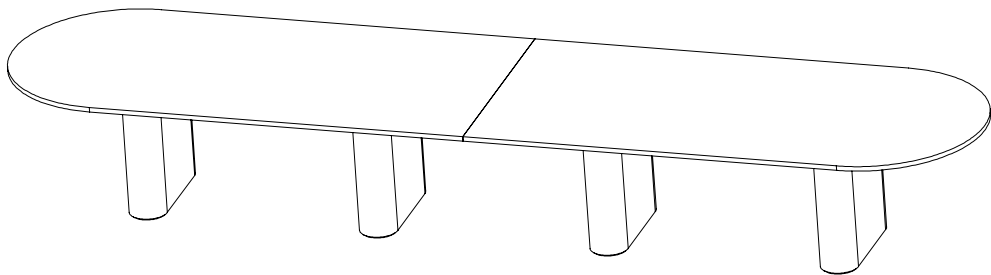
8



9



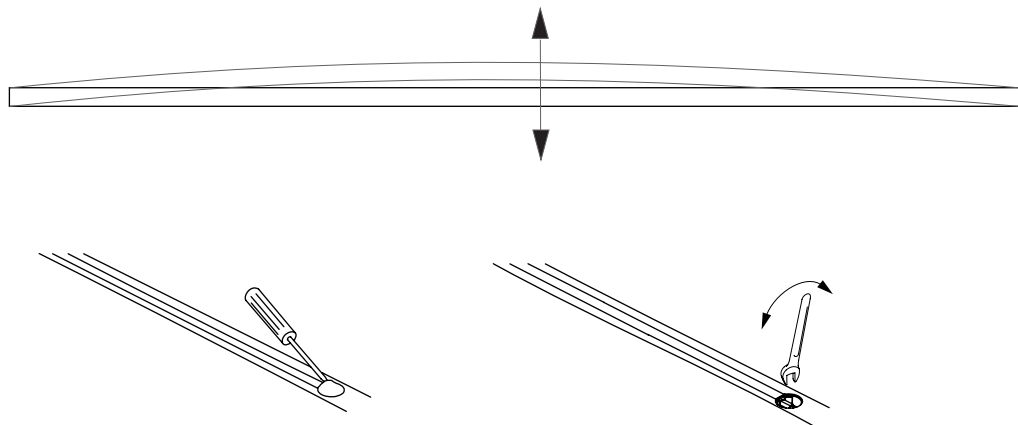
10



11



Instructions to correct the evenness of the table-top.  
Can be corrected on two sides by means of tightening the sludge.  
As a result of tightening this sludge, the table-top will "swell" a little.



12

