

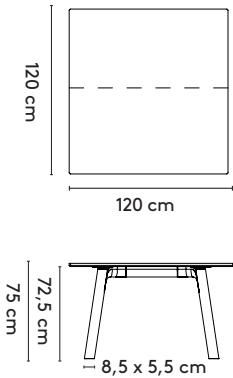
1 Grid

Jonathan Prestwich

2014 - 2016

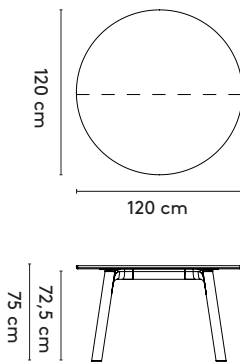
2a Standard

Grid square



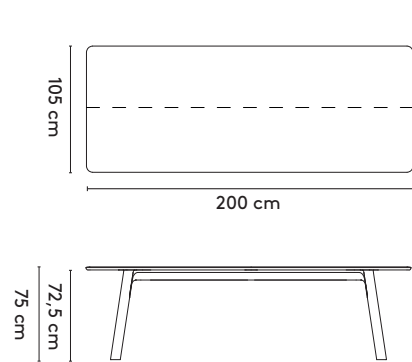
120 x 120 x 75 cm (between legs: 81 cm)
 150 x 150 x 75 cm (between legs: 81 cm)
 200 x 200 x 75 cm (between legs: 106 cm)

Grid round



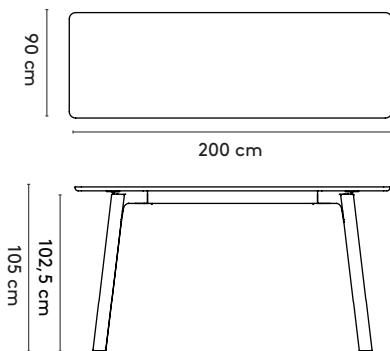
Ø 120 x 75 cm (between legs: 81cm)
 Ø 150 x 75 cm (between legs: 81cm)
 Ø 200 x 75 cm (between legs: 106cm)

Grid rectangular



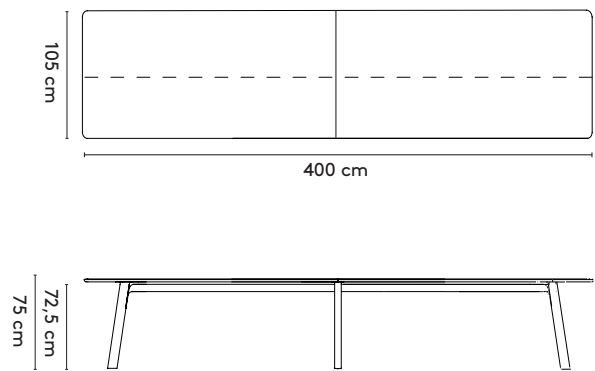
200 x 105/120/160 x 75 cm (between legs: 146cm)
 240 x 105/120/160 x 75 cm (between legs: 176cm)
 280 x 105/120/160 x 75 cm (between legs: 216cm)
 320 x 105/120/160 x 75 cm (between legs: 256cm)
 360 x 105/120/160 x 75 cm (between legs: 296cm)

Grid rectangular high



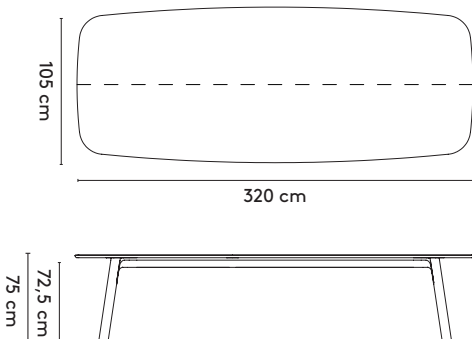
200 x 90 x 105 cm (between legs: 160 cm)
 240 x 90 x 105 cm (between legs: 200 cm)
 280 x 90 x 105 cm (between legs: 240 cm)

Grid rectangular connected



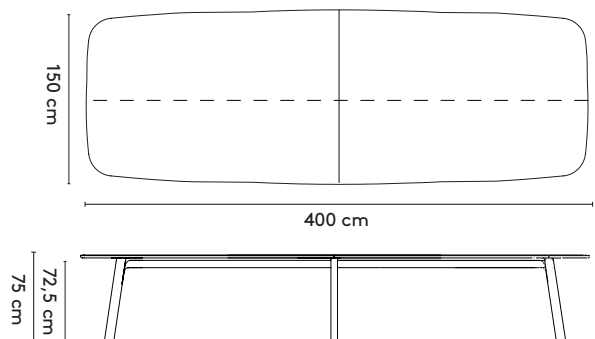
400 x 105/120 x 75 cm (between legs: 190 cm)
 480 x 105/120 x 75 cm (between legs: 230 cm)
 560 x 105/120 x 75 cm (between legs: 270 cm)

Grid barrel



200 x 105/150 x 75 cm (between legs: 146 cm)
 240 x 105/150 x 75 cm (between legs: 178 cm)
 280 x 110/150 x 75 cm (between legs: 200 cm)
 320 x 110/150 x 75 cm (between legs: 240 cm)
 360 x 110/150 x 75 cm (between legs: 280 cm)

Grid barrel connected



400 x 150 x 75 cm (between legs: 165 cm)
 480 x 150 x 75 cm (between legs: 197 cm)
 560 x 150 x 75 cm (between legs: 237 cm)

please note:
 a table top with a width/diameter wider than 128 cm comes in two parts.

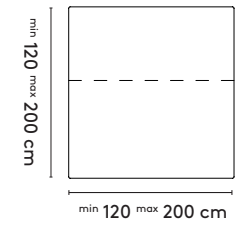
1 Grid

Jonathan Prestwich

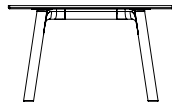
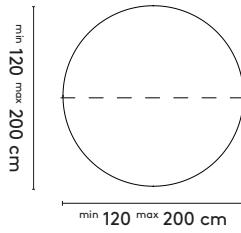
2014 - 2016

2b Tailoring

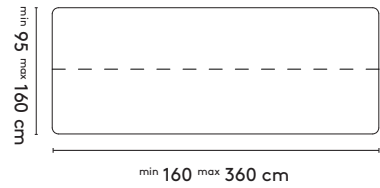
Grid square



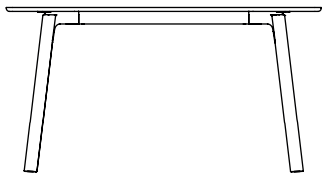
Grid round



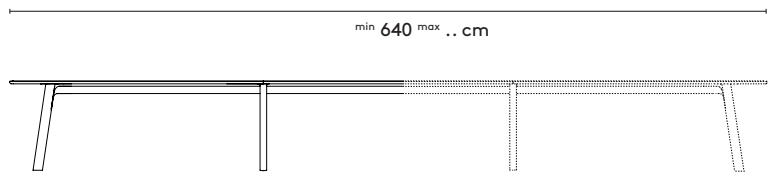
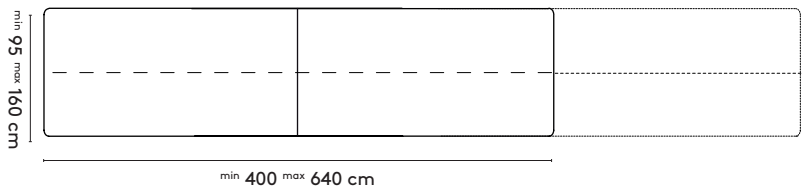
Grid rectangular



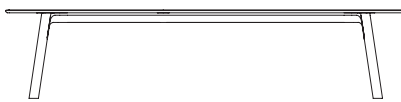
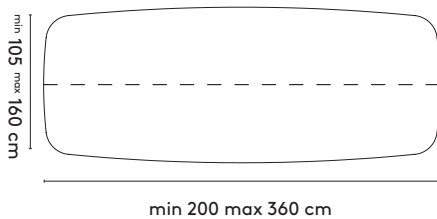
Grid rectangular high



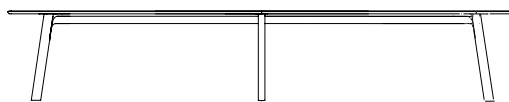
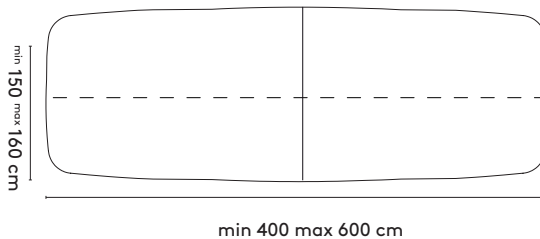
Grid rectangular connected



Grid barrel



Grid barrel connected



please note:
a table top with a width/diameter wider than 128 cm comes
in two parts

3 Materials

Top: oak or walnut (solid, veneer), oak smoked (solid)
Frame: epoxy fine texture on aluminum (RAL9010 or RAL9005)
Legs: oak or walnut (solid)

Materialen

Blad: eiken of noten (massief, fineer), gerookt eiken (massief)
Onderstel: epoxy fine texture op aluminium (RAL9010 of RAL9005)
Poten: eiken of noten (massief)

Materialien

Platte: Eiche oder Nussbaum (Massiv, Furnier), Eiche geräuchert (Massiv)
Untergestell: Epoxy fine texture auf Aluminium (RAL9010 oder RAL9005)
Beine: Eiche oder Nussbaum (Massiv)

4 Finishes

All Arco colors and finishes for the mentioned materials

Afwerkingen

Alle Arco kleuren en (lak)afwerkingen voor de genoemde materialen

Ausführungen

Untergestell in einer anderen Farbe Epoxy fine texture (Arco Farbe) möglich

1 Grid

5 Additional information

Aanvullende informatie

Weitere Informationen

-

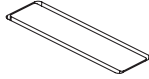
-

-

6 Cable management



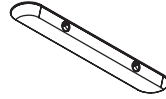
CM04
solid wood
30 x 15 cm



CM05
wood
30 x 10 cm



CM15
EVoline® One spot
Ø 5,9 cm



Drop in box
veneer and fabric
4 sockets / 6 sockets
105x18 cm / 145x18 cm



CM11
cable sock
medium



CM13/CM14
zipper sock
short/long

*only optional for tables with a
max width of 120 cm