

we
are
arco

we
make
tables

arco

product
Essenza

designer
Willem van Ast

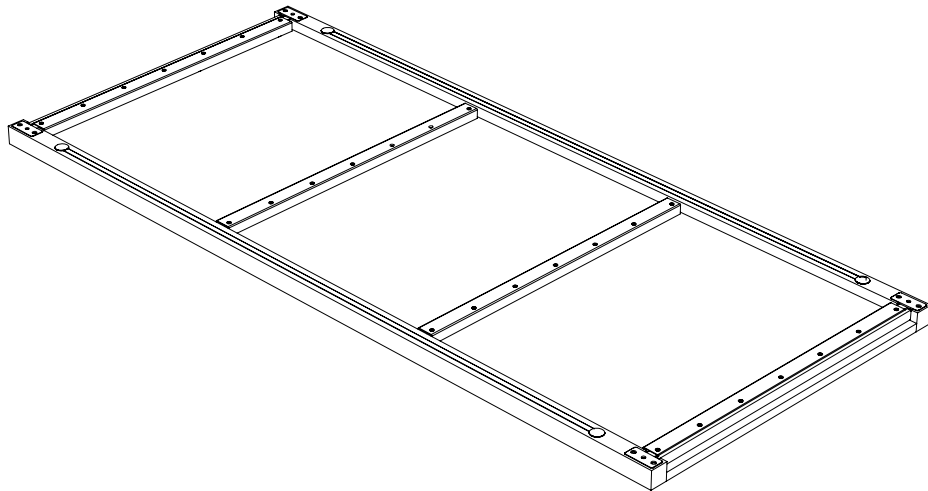
Year
1999

Assembly
instructions

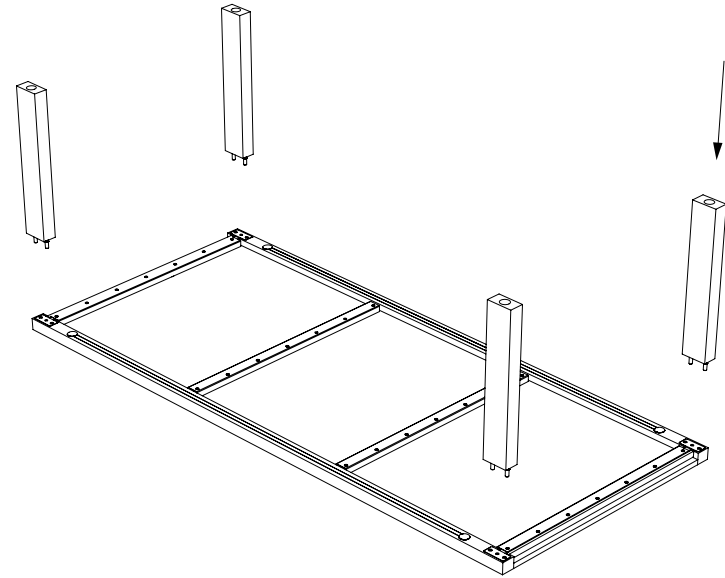
Please follow step 1 - 9.



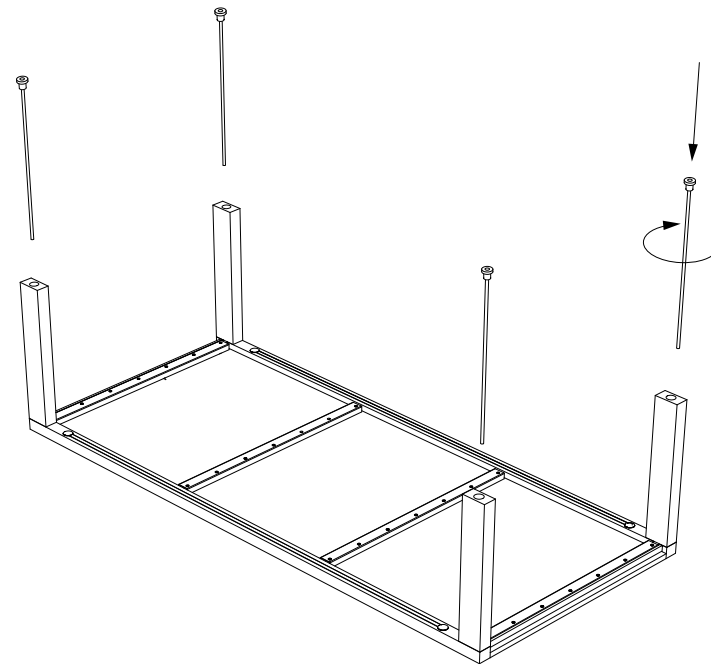
②



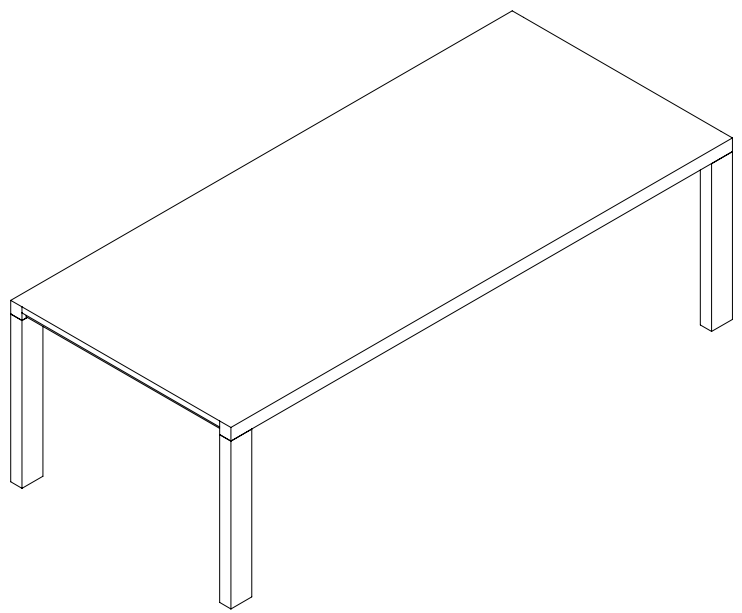
①



③

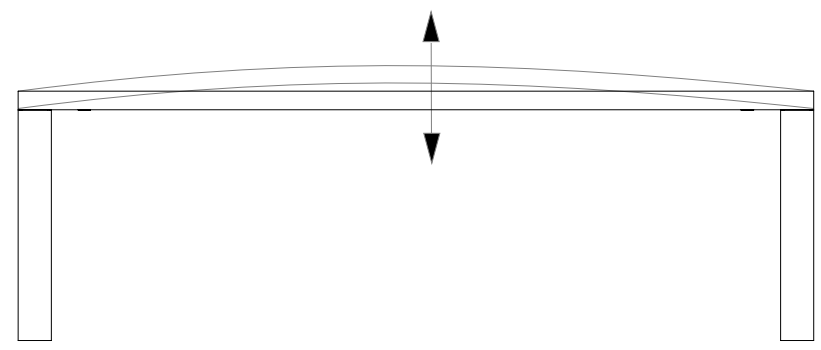


4

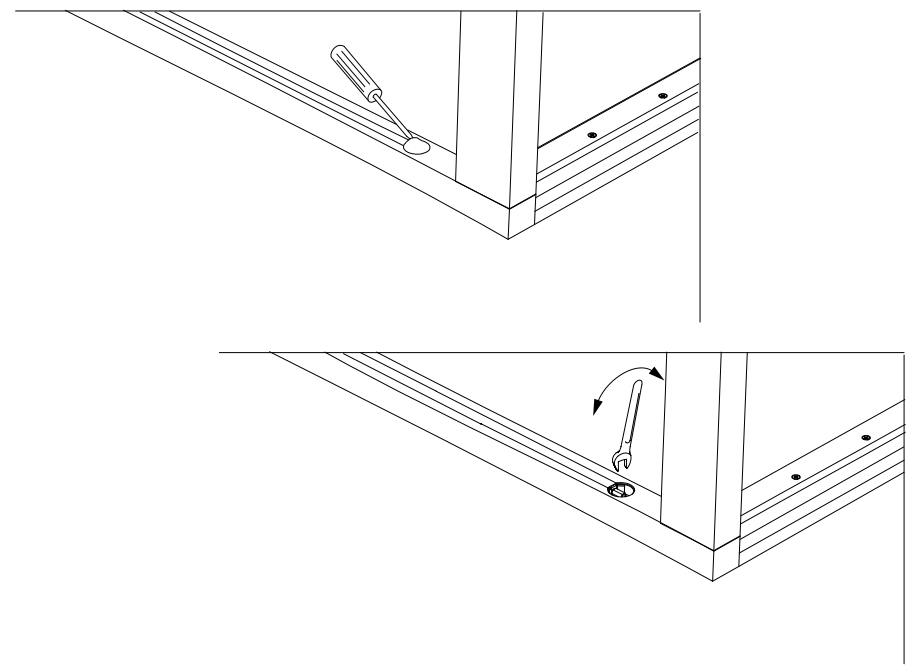


5

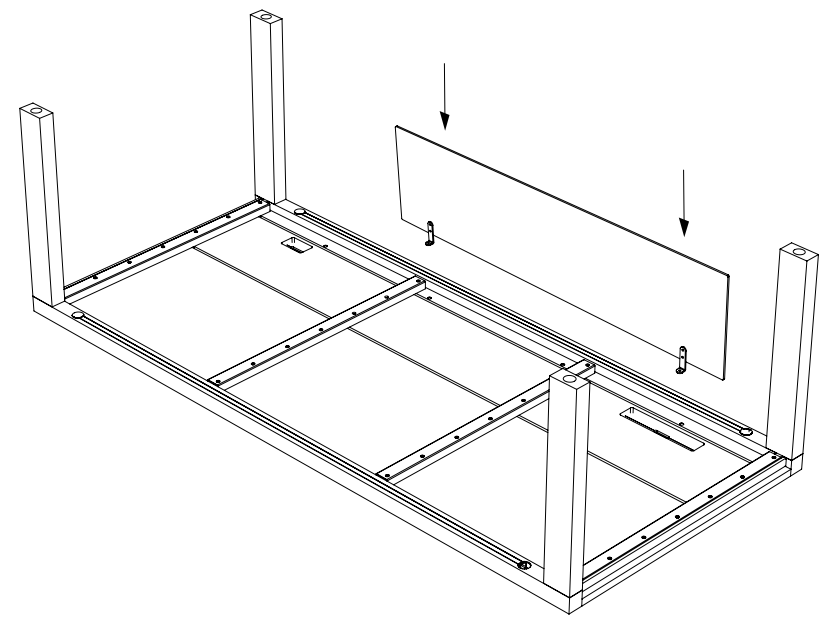
Instructions to correct the evenness of the table-top.
Can be corrected on two sides by means of tightening the sludge.
As a result of tightening this sludge, the table-top will "swell" a little.



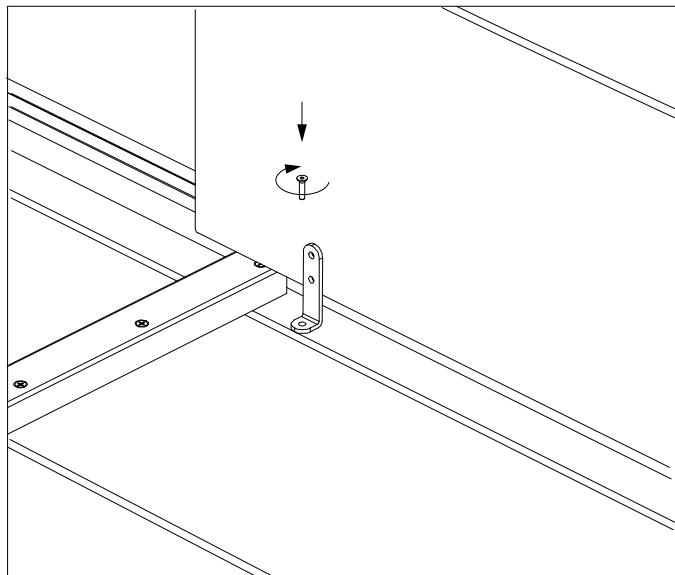
6



7



8



9

