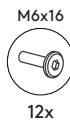


we  
are  
arco

product  
**Essential  
Steel**

Assembly  
instructions



we  
make  
tables

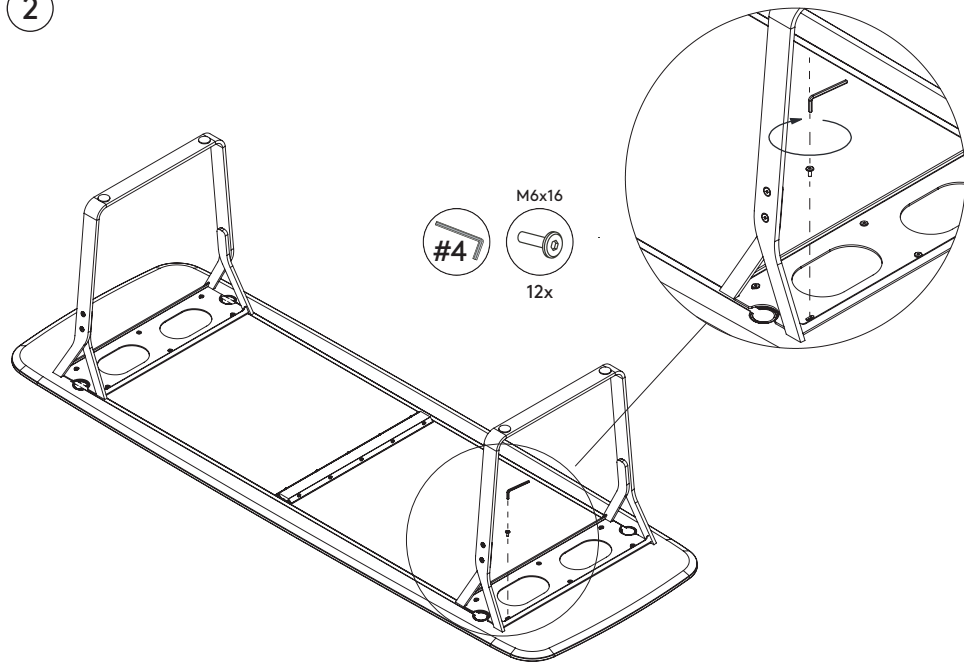
designer  
**Arco  
Design  
Studio**

arco

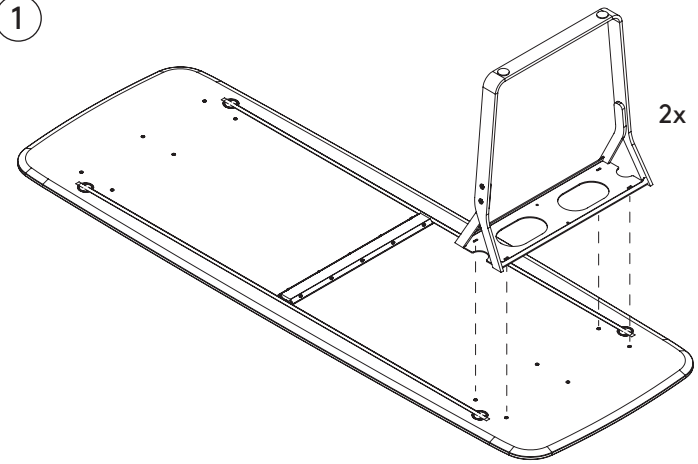
Year  
2019

Please follow step 1 - 5.

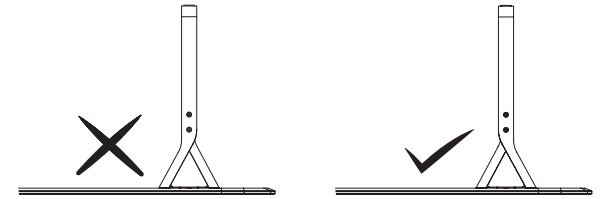
2



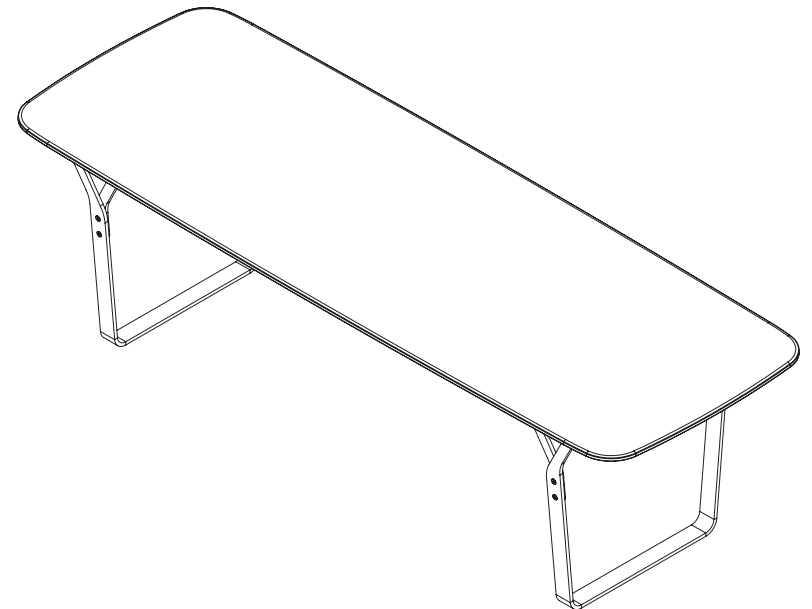
1



continuous beam  
towards table-end

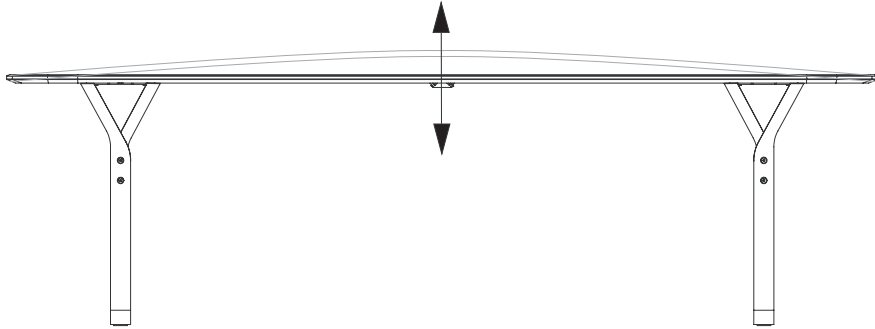


3



4

Instructions to correct the evenness of the table-top.  
Can be corrected on two sides by means of tightening the sludge.  
As a result of tightening this sludge, the table-top will "swell" a little.



5

